



FERGOR
Dental Products
Distribuidor Autorizado Vatech

A NEW DIMENSION BEYOND
YOUR EXPECTATIONS

vatech A9™



THE ADVANCED IMAGING SOLUTION FOR ACCURATE DENTAL DIAGNOSIS

The Vatech A9 provides the most precise and high quality panoramic images by combining image processing and accumulated experience in dental imaging from Vatech. This will increase your diagnostic accuracy for improved treatment planning and patient satisfaction.



INTEGRAL FOV FOR 3D IMAGE

8x8 images enable fundamental diagnoses and treatment planning, including both the maxillary and mandibular areas, in a single scan. It is useful for complex implant surgeries and left/right TMJ diagnoses.



MINIMIZE MOTION ARTIFACTS WITH RAPID CEPH TECHNOLOGY

The next step in cephalometric technology, Vatech's new Rapid Ceph minimizes motion artifacts and enables faster diagnostic workflow while providing the highest quality digital images.

GREAT CLINICAL CARE WITH RAPID CEPH TECHNOLOGY



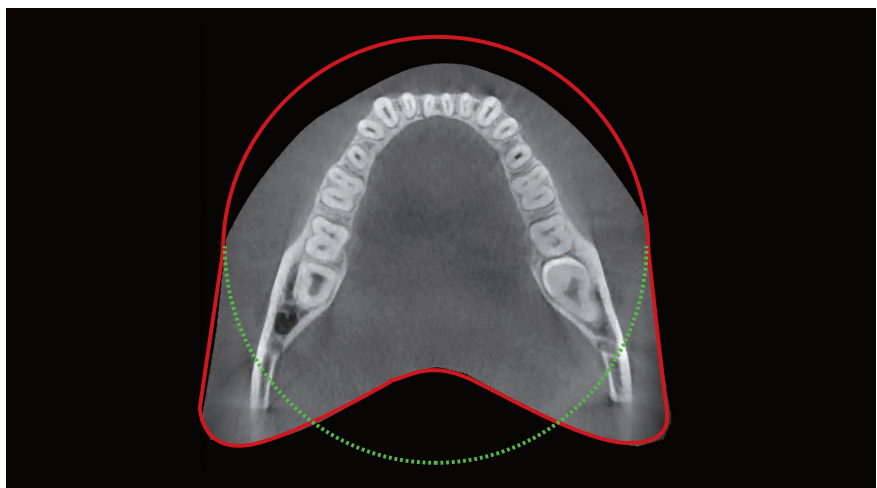
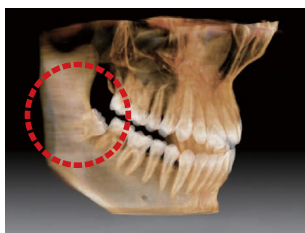
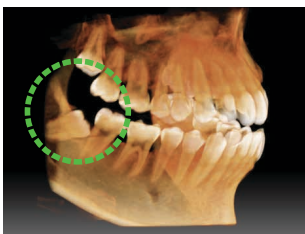
**RAPID
CEPH**

**1.9
sec**



EXTENDED ARCH-SHAPED FOV

The FOV of the vatech A9 provides an arch-shaped volume, showing a wider view of dentition when compared to other devices with the same FOV. When the tooth is lying on its side, there is a high possibility that the tooth will be cut out of the image. This possibility is eliminated with our "arch-shaped volume" and shows the hidden dentition area.



PRODUCT CONFIGURATION

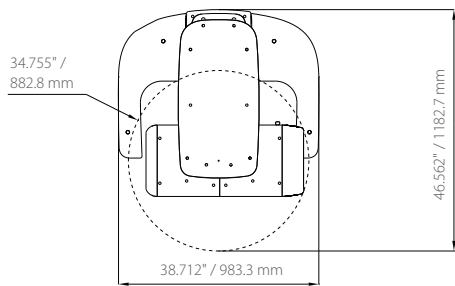
	CBCT	PANO	CEPH
Vatech A9	•	•	-
Vatech A9 RC	•	•	•

SPECIFICATIONS (vatech A9: PHT-30CSS)

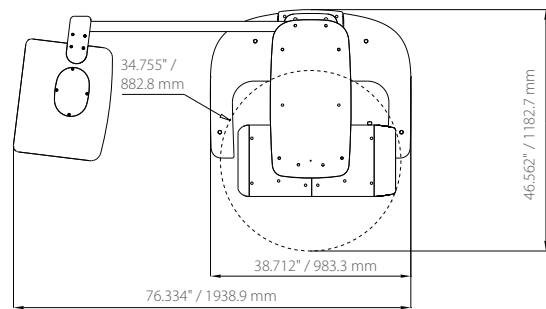
Function		CT + Pano + Ceph
Focal Spot		0.5 mm (IEC 60336)
CT FOV Size		8x8 cm (Anatomical 9.3x8 cm)
Voxel Size		0.2 mm / 0.3 mm
Scan Time	CT	18 sec
	Pano	11.9 sec / 14.1 sec
	Ceph	1.9 sec / 3.9 sec
Gray Scale		14 bit
Tube Voltage		60 ~ 99 kV
Current		4 ~ 10 mA
Weight	Without Ceph unit	92 kg (202.83 lbs. - Without Base)
		130 kg (286.60 lbs. - With Base)
	With Ceph unit	118 kg (260.15 lbs. - Without Base)
		156 kg (343.92 lbs. - With Base)

*The specifications are subject to change without prior notice.

DIMENSIONS (Unit: inch)



Top View



Front View

